

Pressure gauge with spiral tube Model 116.15, back mount Direct drive version

WIKA data sheet PM 01.16

Applications

- For measuring static pressures in dry gaseous media that will not attack copper alloy parts
- Indication of cylinder charging pressure
- Welding engineering
- Medical engineering

Special features

- Compact and robust design
- Good vibration resistance
- Nominal size 36 and 41
- Ingress protection IP 65
- Pressure relief (front)



Pressure gauge with spiral tube, model 116.15

Description

The model 116.15 is a direct drive pressure gauge. This means that there is no movement needed for the transmission of the tube deflection to the pointer. With this, on the one hand, the vibration resistance of the model is increased and on the other it enables a particularly flat design form. In addition, the model 116.15 offers the security feature of having a pressure relief and IP 65 ingress protection.

Application areas

This pressure gauge is particularly suited for the operating conditions of pressure controllers and pressure valves on fixed and portable gas cylinders.

Individual customer variants

WIKA offers its customers the joint development of tailored designs. This includes a full integration solution of the pressure measuring system into the customer's unit.

Standard version

Nominal size in mm

36, 41

Accuracy class

4.0

(including non-linearity, hysteresis, zero offset and end value deviation)

Scale ranges

0 ... 185 bar

0 ... 200 bar

0 ... 250 bar

0 ... 315 bar

0 ... 400 bar

0 ... 450 bar

Pressure limitation

Steady: 3/4 x full scale value

Short time: Full scale value

Permissible temperature

Ambient: -20 ... +60 °C

Medium: -20 ... +60 °C

Storage: -40 ... +70 °C

Temperature effect

When the temperature of the measuring system deviates from the reference temperature (+20 °C):

max. ± 0.4 %/10 K of the span

Ingress protection

IP 65 per EN 60529 / IEC 60529

Process connection

Copper alloy,

centre back mount (CBM)

G 1/8 B (male), 12 mm flats

Pressure element

Copper alloy (CuBe₂), spiral form

Dial

Plastic, white, black lettering,

indication angle 120° \pm 15°

Pointer

Copper alloy, black

Case

Stainless steel

Window

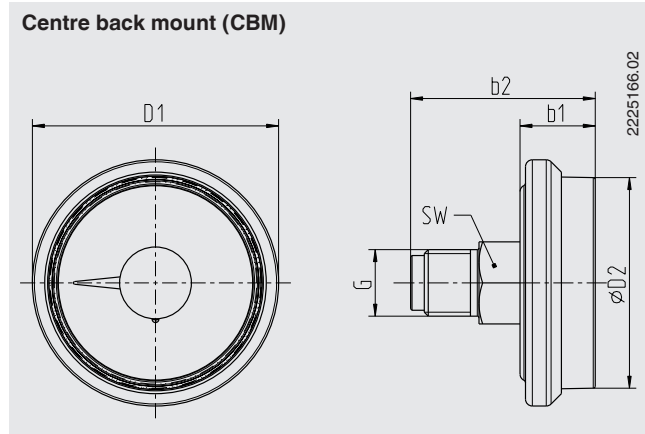
Polycarbonate, clear

Options

- Other process connection (e.g. male G 1/8 B, G 1/4 B, 1/8 NPT or plug connection)
- Restrictor
- Protective rubber cap on process connection
- Changed indication angle
- Other scale ranges
- Accuracy class 2.5
- Special window (for possible use with aggressive media)

Dimensions in mm

Standard version



NS	Dimensions in mm					Weight in kg	
	$b_1 \pm 0.5$	$b_2 \pm 1$	D_1	D_2	G	SW	
36	11	27	36	31	G 1/8 B	12	0.021
41	11	27	41	36	G 1/8 B	12	0.024

Process connection per EN 837-1 / 7.3

Ordering information

Model / Nominal size / Scale range / Connection size / Options

© 2009 WIKA Alexander Wiegand SE & Co. KG, all rights reserved.
The specifications given in this document represent the state of engineering at the time of publishing.
We reserve the right to make modifications to the specifications and materials.

