

### Fieldbus temperature transmitter For FOUNDATION™ Fieldbus and PROFIBUS® PA Model T53.10, head-mounted version

WIKA data sheet TE 53.01



for further approvals  
see page 5



#### Applications

- Process industry
- Machine building and plant construction

#### Special features

- FOUNDATION™ Fieldbus ITK version 4.61
- PROFIBUS® PA profile 3
- Automatic switch between protocols
- Explosion protection Ex i, intrinsically safe/FISCO
- Explosion protection Ex n



Fieldbus temperature transmitter, model T53.10

#### Description

The model T53.10 fieldbus temperature transmitter with FOUNDATION™ and PROFIBUS® PA fieldbus communication is suitable for temperature measurement with resistance thermometers and thermocouples. Furthermore resistance and mV measurements with or without customer-specific linearisation are possible. Differential, average or redundancy temperature measurements can be realised.

The T53 is available at FOUNDATION™ Fieldbus with LAS functionality (Link Active Scheduler) and PID regulation. These functionalities allow for master-independent regulations in the field instrument.

The model T53.10 fieldbus temperature transmitter has a polarity-independent bus connection. Due to its small dimensions, the model T53 temperature transmitter is suitable for all DIN form B connection heads.

The model T53 temperature transmitter is delivered with a factory configuration (see ordering information) or customer-specific configuration in line with the configuration options.

## Specifications

Input, configurable						
		Measuring range <sup>1)</sup>	Standard	$\alpha$ values	Basic accuracy	Temperature coefficient per °C
<b>Resistance sensor</b>	Pt25 ... Pt1000	-200 ... +850 °C	IEC 60751	$\alpha = 0.00385$	$\leq \pm 0.1$ °C	$\leq \pm 0.002$ °C
	Pt25 ... Pt1000	-200 ... +850 °C	JIS C1604: 1989	$\alpha = 0.003916$	$\leq \pm 0.1$ °C	$\leq \pm 0.002$ °C
	Ni25 ... Ni1000	-60 ... +250 °C	DIN 43760		$\leq \pm 0.15$ °C	$\leq \pm 0.002$ °C
	Cu10 ... Cu1000	-50 ... +200 °C		$\alpha = 0.00427$	$\leq \pm 1.3$ °C	$\leq \pm 0.02$ °C
	Resistance sensor	0 ... 10 k $\Omega$			$\leq \pm 0.05$ $\Omega$	$\leq \pm 0.002$ $\Omega$
	Potentiometer	0 ... 100 k $\Omega$				
<b>Measuring current during measurement</b>			typical 0.2 mA (Pt100)			
<b>Connection methods</b>			1 sensor 2-/4-/3-wire or 2 sensors 2-/3-wire (for further information, please refer to "Designation of connection terminals")			
<b>Max. lead resistance</b>			50 $\Omega$ each wire			
<b>Thermocouple</b>	Type J (Fe-CuNi)	-100 ... +1,200 °C	IEC 60584		$\leq \pm 0.5$ °C	$\leq \pm 0.01$ °C
	Type K (NiCr-Ni)	-180 ... +1,372 °C	IEC 60584		$\leq \pm 0.5$ °C	$\leq \pm 0.01$ °C
	Type L (Fe-CuNi)	-200 ... +900 °C	DIN 43710		$\leq \pm 0.5$ °C	$\leq \pm 0.01$ °C
	Type E (NiCr-Cu)	-100 ... +1,000 °C	IEC 60584		$\leq \pm 0.5$ °C	$\leq \pm 0.01$ °C
	Type N (NiCrSi-NiSi)	-180 ... +1,300 °C	IEC 60584		$\leq \pm 0.5$ °C	$\leq \pm 0.01$ °C
	Type T (Cu-CuNi)	-200 ... +400 °C	IEC 60584		$\leq \pm 0.5$ °C	$\leq \pm 0.01$ °C
	Type U (Cu-CuNi)	-200 ... +600 °C	DIN 43710		$\leq \pm 0.5$ °C	$\leq \pm 0.01$ °C
	Type R (PtRh-Pt)	-50 ... +1,760 °C	IEC 60584		$\leq \pm 1$ °C	$\leq \pm 0.025$ °C
	Type S (PtRh-Pt)	-50 ... +1,760 °C	IEC 60584		$\leq \pm 1$ °C	$\leq \pm 0.025$ °C
	Type B (PtRh-Pt)	400 ... 1,820 °C	IEC 60584		$\leq \pm 1$ °C	$\leq \pm 0.025$ °C
	W3	0 ... 2,300 °C	ASTM E988-90		$\leq \pm 1$ °C	$\leq \pm 0.025$ °C
	W5	0 ... 2,300 °C	ASTM E988-90		$\leq \pm 1$ °C	$\leq \pm 0.025$ °C
	mV sensor	-800 ... +800 mV			$\leq \pm 10$ $\mu$ V	$\leq \pm 0.2$ $\mu$ V
<b>External CJC (cold junction compensation)</b>			-40 ... +135 °C			
<b>Connection methods</b>			1 sensor 2-, 3- or 4-wire 2 sensors: 2 x 2-wire (RTD/TC) or 1 x 2-wire (RTD/TC) with 1 x 3-wire (RTD) (for further information, please refer to "Designation of connection terminals")			
<b>Max. lead resistance</b>			5 k $\Omega$ each wire			
<b>Error of cold junction compensation (CJC)</b>			$\leq \pm 0.5$ °C			

1) Other units e.g. °F and K possible

Factory configuration	
<b>Sensor</b>	Pt100
<b>Connection method</b>	3-wire connection
<b>Output limits</b>	0 ... 100 °C

Output	FOUNDATION™ Fieldbus	PROFIBUS® PA
<b>Version</b>	ITK version 4.61	EN 50170 vol. 2 / profile 3
<b>Functionality</b>	Basic or LAS	
<b>Function blocks</b>	2 analogue and 1 PID	2 analogue
<b>Execution time, PID controller</b>	< 200 ms	

Case (for head mounting, incl. spring-loaded mounting screws)	
<b>Material</b>	Plastic, PBT, glass-fibre reinforced
<b>Ingress protection</b> ■ Case ■ Connection terminals	IP68 per IEC/EN 60529 IP00 per IEC/EN 60529
<b>Connection cross-section of terminals</b>	0.14 ... 1.5 mm <sup>2</sup>
<b>Weight</b>	approx. 0.05 kg

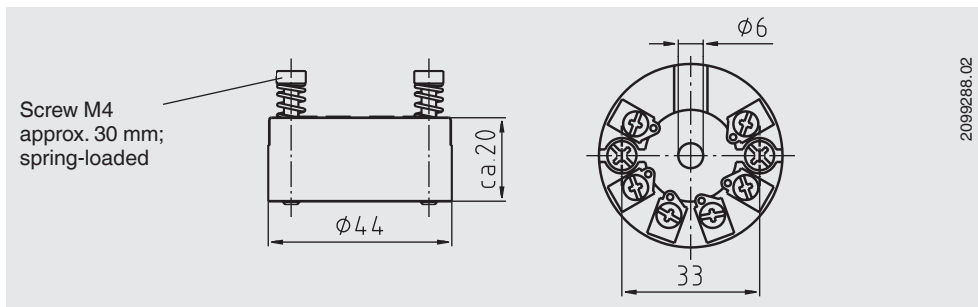
Explosion protection, power supply						
Model	Approvals	Permissible ambient/ storage temperature (in accordance with the relevant temperature classes)	Safety-related maximum values for			Power supply U <sub>B</sub> <sup>2)</sup> / current consumption
			Current loop (connections 1 + 2)		Sensor (connections 3 - 6)	
<b>T53.10.OIS</b>	EC-type examination certificate: KEMA 06ATEX0148X  Zone 0,1: II 1G Ex ia IIC T4/T5/T6 Zone 0,1: II 1D Ex iaD  ■ CSA approval 1807316 Intrinsically safe version: Class I, division 1, group A, B, C, D  ■ FM approval 3027564 (Inst. Drg: 11175631) Intrinsically safe version: Class I, division 1, group A, B, C, D  Non-incendive version: Class I, division 2, group A, B, C, D	-40 ... +85 °C (T4)	U <sub>i</sub> = DC 30 V	C <sub>i</sub> = 2 nF	U <sub>o</sub> = 5.7 V I <sub>o</sub> = 8.4 mA P <sub>o</sub> = 12 mW C <sub>o</sub> = 40 µF L <sub>o</sub> = 200 mH	DC 9 ... 32 V/ < 11 mA
		-40 ... +75 °C (T5)	I <sub>i</sub> = 120 mA	L <sub>i</sub> = 1 µH		
		-40 ... +60 °C (T6)	P <sub>i</sub> = 0.84 W			
		-40 ... +75 °C (T4)	U <sub>i</sub> = DC 30 V	C <sub>i</sub> = 2 nF		
<b>T53.10.OIS</b>	EC-type examination certificate: KEMA 06ATEX0148X  Zone 0,1: II 2G (1)G Ex ib [ia] IIC T4/T5/T6  ■ CSA approval 1807316 Intrinsically safe version: Class I, division 1, group A, B, C, D  ■ FM approval 3027564 (Inst. Drg: 11175631) Intrinsically safe version: Class I, division 1, group A, B, C, D Class I, zone 0, Ex ia IIC or AEx ia IIC Class I, zone 1, Ex ib IIC or AEx ib IIC Class I, division 2, group A, B, C, D	-40 ... +65 °C (T5)	U <sub>i</sub> = DC 30 V	C <sub>i</sub> = 2 nF	U <sub>o</sub> = 5.7 V I <sub>o</sub> = 8.4 mA P <sub>o</sub> = 12 mW C <sub>o</sub> = 40 µF L <sub>o</sub> = 200 mH	DC 9 ... 32 V/ < 11 mA
		-40 ... +45 °C (T6)	I <sub>i</sub> = 300 mA	L <sub>i</sub> = 1 µH		
		-40 ... +85 °C (T1 ... T4)	P <sub>i</sub> = 1.3 W			
		-40 ... +60 °C (T5)	U <sub>i</sub> = DC 17.5 V (FISCO)	C <sub>i</sub> = 2 nF		
<b>T53.10.ONI</b>	EC-type examination certificate: KEMA 06ATEX0149X  Zone 2: II 3GD Ex nA [nL] IIC T4/T5/T6 Zone 2: II 3GD Ex nL IIC T4/T5/T6 Zone 2: II 3GD Ex nA [ic] IIC T4/T5/T6 Zone 2: II 3GD Ex ic IIC T4/T5/T6  ■ CSA approval 1807316 FM approval 3027564 (Inst. Drg: 11175631) Non-incendive version: Class I, division 2, group A, B, C, D Class I, zone 2, Ex nA IIC Class I, zone 2, AEx nA IIC	-40 ... +45 °C (T6)	U <sub>i</sub> = DC 15 V	C <sub>i</sub> = 2 nF	U <sub>o</sub> = 5.7 V I <sub>o</sub> = 8.4 mA P <sub>o</sub> = 12 mW C <sub>o</sub> = 40 µF L <sub>o</sub> = 200 mH	DC 9 ... 32 V/ < 11 mA
		-40 ... +60 °C (T5)	I <sub>i</sub> = 900 mA	L <sub>i</sub> = 1 µH		
		-40 ... +85 °C (T1 ... T4)	P <sub>i</sub> = 5.32 W			
		-40 ... +45 °C (T6)				
<b>T53.10.OIS</b>	EC-type examination certificate: KEMA 06ATEX0148X  Zone 0,1: II 2G (1)G Ex ib [ia] IIC T4/T5/T6  ■ CSA approval 1807316 Intrinsically safe version: Class I, division 1, group A, B, C, D  ■ FM approval 3027564 (Inst. Drg: 11175631) Intrinsically safe version: Class I, division 1, group A, B, C, D Class I, zone 0, Ex ia IIC or AEx ia IIC Class I, zone 1, Ex ib IIC or AEx ib IIC Class I, division 2, group A, B, C, D	-40 ... +85 °C (T1 ... T4)	Linear barrier	C <sub>i</sub> = 2 nF	U <sub>o</sub> = 5.7 V I <sub>o</sub> = 8.4 mA P <sub>o</sub> = 12 mW C <sub>o</sub> = 40 µF L <sub>o</sub> = 200 mH	DC 9 ... 32 V/ < 11 mA
		-40 ... +65 °C (T5)	U <sub>i</sub> = 30 V	L <sub>i</sub> = 1 µH		
<b>T53.10.ONI</b>	EC-type examination certificate: KEMA 06ATEX0149X  Zone 2: II 3GD Ex nA [nL] IIC T4/T5/T6 Zone 2: II 3GD Ex nL IIC T4/T5/T6 Zone 2: II 3GD Ex nA [ic] IIC T4/T5/T6 Zone 2: II 3GD Ex ic IIC T4/T5/T6  ■ CSA approval 1807316 FM approval 3027564 (Inst. Drg: 11175631) Non-incendive version: Class I, division 2, group A, B, C, D Class I, zone 2, Ex nA IIC Class I, zone 2, AEx nA IIC	-40 ... +85 °C (T1 ... T4)	U <sub>i</sub> = DC 30 V	C <sub>i</sub> = 2 nF	U <sub>o</sub> = 5.7 V I <sub>o</sub> = 8.4 mA P <sub>o</sub> = 12 mW C <sub>o</sub> = 40 µF L <sub>o</sub> = 200 mH	DC 9 ... 32 V/ < 11 mA
		-40 ... +75 °C (T5)	I <sub>i</sub> = 120 mA	L <sub>i</sub> = 1 µH		
<b>T53.10.ONI</b>	EC-type examination certificate: KEMA 06ATEX0149X  Zone 2: II 3GD Ex nA [nL] IIC T4/T5/T6 Zone 2: II 3GD Ex nL IIC T4/T5/T6 Zone 2: II 3GD Ex nA [ic] IIC T4/T5/T6 Zone 2: II 3GD Ex ic IIC T4/T5/T6  ■ CSA approval 1807316 FM approval 3027564 (Inst. Drg: 11175631) Non-incendive version: Class I, division 2, group A, B, C, D Class I, zone 2, Ex nA IIC Class I, zone 2, AEx nA IIC	-40 ... +60 °C (T6)	P <sub>i</sub> = 0.84 W		U <sub>o</sub> = 5.7 V I <sub>o</sub> = 8.4 mA P <sub>o</sub> = 12 mW C <sub>o</sub> = 40 µF L <sub>o</sub> = 200 mH	DC 9 ... 32 V/ < 11 mA
		-40 ... +85 °C (T1 ... T4)	U <sub>i</sub> = DC 32 V	C <sub>i</sub> = 2 nF		
<b>T53.10.ONI</b>	EC-type examination certificate: KEMA 06ATEX0149X  Zone 2: II 3GD Ex nA [nL] IIC T4/T5/T6 Zone 2: II 3GD Ex nL IIC T4/T5/T6 Zone 2: II 3GD Ex nA [ic] IIC T4/T5/T6 Zone 2: II 3GD Ex ic IIC T4/T5/T6  ■ CSA approval 1807316 FM approval 3027564 (Inst. Drg: 11175631) Non-incendive version: Class I, division 2, group A, B, C, D Class I, zone 2, Ex nA IIC Class I, zone 2, AEx nA IIC	-40 ... +75 °C (T5)	FNICO (FISCO)	L <sub>i</sub> = 1 µH	U <sub>o</sub> = 5.7 V I <sub>o</sub> = 8.4 mA P <sub>o</sub> = 12 mW C <sub>o</sub> = 40 µF L <sub>o</sub> = 200 mH	DC 9 ... 32 V/ < 11 mA
		-40 ... +60 °C (T6)	U <sub>i</sub> = DC 17.5 V			

2) Depending on the safety-relevant upper limit values for the current loop circuit (for this, also see the type examination certificate).

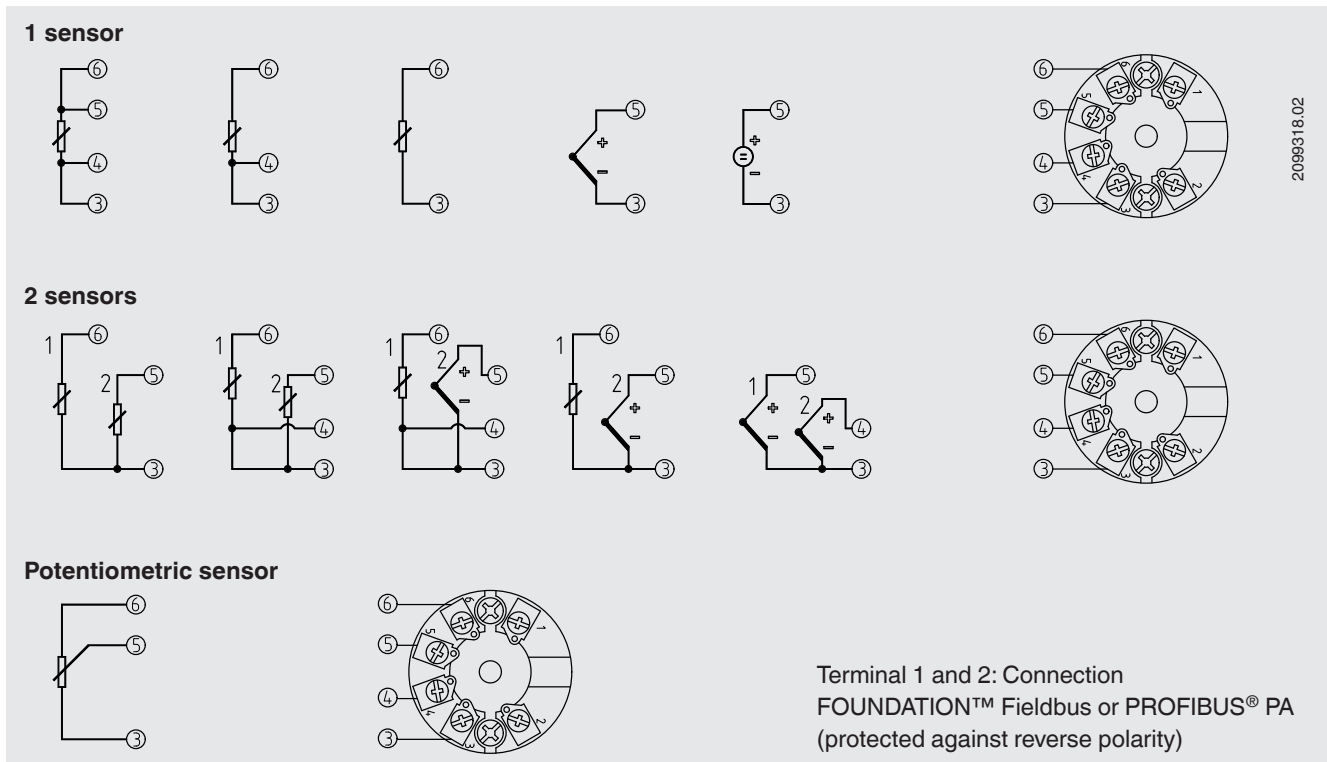
Ambient conditions	
Ambient and storage temperature range	-40 ... +85 °C
Maximum permissible humidity	95 % r. h., non-condensing
Vibration resistance per DIN EN 60068-2-6	2 ... 100 Hz, 4 g

Other	
Insulation voltage, test / operation	AC 1.5 kV / AC 50 V
Response time (programmable)	1 ... 60 s
Updating time	< 400 ms
Execution time, analogue input block	< 50 ms



## Dimensions in mm





## Designation of connection terminals



## Accessories

Model	Description	Order number
<b>Adapter</b> 	<ul style="list-style-type: none"> <li>■ Suitable for TS 35 per DIN EN 60715 (DIN EN 50022) or TS 32 per DIN EN 50035</li> <li>■ Material: Plastic / stainless steel</li> <li>■ Dimensions: 60 x 20 x 41.6 mm</li> </ul>	3593789
<b>Adapter</b> 	<ul style="list-style-type: none"> <li>■ Suitable for TS 35 per DIN EN 60715 (DIN EN 50022)</li> <li>■ Material: Steel, tin-plated</li> <li>■ Dimensions: 49 x 8 x 14 mm</li> </ul>	3619851

## Approvals

Logo	Description	Country
 	<b>EC declaration of conformity</b> <ul style="list-style-type: none"> <li>■ EMC directive EN 61326 emission (group 1, class B) and interference immunity (industrial application)</li> <li>■ RoHS directive</li> <li>■ ATEX directive Hazardous areas</li> </ul>	European Union
	<b>FM</b> Hazardous areas	USA
	<b>CSA</b> <ul style="list-style-type: none"> <li>■ Safety (e.g. electr. safety, overpressure, ...)</li> <li>■ Hazardous areas</li> </ul>	Canada
	<b>EAC</b> <ul style="list-style-type: none"> <li>■ EMC directive</li> <li>■ Hazardous areas</li> </ul>	Eurasian Economic Community
	<b>GOST</b> Metrology, measurement technology	Russia
	<b>KazInMetr</b> Metrology, measurement technology	Kazakhstan
-	<b>MTSCHS</b> Permission for commissioning	Kazakhstan
	<b>BelGIM</b> Metrology, measurement technology	Belarus
	<b>UkrSEPRO</b> Metrology, measurement technology	Ukraine
	<b>DNOP - MakNII</b> <ul style="list-style-type: none"> <li>■ Mining</li> <li>■ Hazardous areas</li> </ul>	Ukraine
	<b>NEPSI</b> Hazardous areas	China

## Manufacturer's information and certifications

Logo	Description
-	China RoHS directive

## Certificates (option)

- 2.2 test report
- 3.1 inspection certificate
- DKD/DAkkS calibration certificate

Approvals and certificates, see website

## Ordering information

Model / Explosion protection / Configuration / Options

© 05/2004 WIKA Alexander Wiegand SE & Co. KG, all rights reserved.  
The specifications given in this document represent the state of engineering at the time of publishing.  
We reserve the right to make modifications to the specifications and materials.

