

# Questionnaire for sampling probe/injection quill For monoblock models IBS3 and IBJ4

## Editor data

Name ..... Company .....

## Customer data

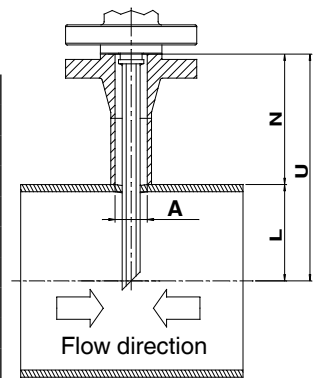
Company ..... Phone .....  
Name ..... E-mail .....  
Date .....

## Project information

Contractor ..... Project .....  
End customer ..... Offer or PO number .....

## Specifications for monoblock design (mandatory for valve configuration)

Item number	TAG number	NPS and Class for flange per ASME 16.5	Total probe/quill length U [mm]	Immersion length L [mm]	Nozzle height N [mm]	Internal nozzle ØA [mm]
1	.....	.....	.....	.....	.....	.....
2	.....	.....	.....	.....	.....	.....
3	.....	.....	.....	.....	.....	.....
4	.....	.....	.....	.....	.....	.....
5	.....	.....	.....	.....	.....	.....
6	.....	.....	.....	.....	.....	.....
7	.....	.....	.....	.....	.....	.....
8	.....	.....	.....	.....	.....	.....
9	.....	.....	.....	.....	.....	.....
10	.....	.....	.....	.....	.....	.....
11	.....	.....	.....	.....	.....	.....
12	.....	.....	.....	.....	.....	.....



## Process data (required for wake frequency calculation)

Item number	Operating pressure p [bar]	Operating temperature T [°C]	Flow rate Q [Sm <sup>3</sup> /h]	Internal pipe ØD [mm]	Flow velocity v [m/s]	Media density ρ [kg/m <sup>3</sup> ]	Dynamic viscosity μ [PI]
1	.....	.....	.....	.....	.....	.....	.....
2	.....	.....	.....	.....	.....	.....	.....
3	.....	.....	.....	.....	.....	.....	.....
4	.....	.....	.....	.....	.....	.....	.....
5	.....	.....	.....	.....	.....	.....	.....
6	.....	.....	.....	.....	.....	.....	.....
7	.....	.....	.....	.....	.....	.....	.....
8	.....	.....	.....	.....	.....	.....	.....
9	.....	.....	.....	.....	.....	.....	.....
10	.....	.....	.....	.....	.....	.....	.....
11	.....	.....	.....	.....	.....	.....	.....
12	.....	.....	.....	.....	.....	.....	.....

**Sketch**



**Notes**

---

---

---

---

---

