

## Compact Differential Pressure Gauges PN 40 with combined working pressure gauge and integrated pressure equalizing valve, Model 732.51.2170

WIKA Data Sheet PM 07.25

### Applications

- For measuring the differential between two pressures, preferentially for filling level measurement in cryotechnology
- For monitoring and controlling the static working pressure (basis pressure)

### Special Features

- Differential and working pressure registered centrally in one unit
- Reduced number of sealing and measuring points
- No separate installation of working pressure gauge and pressure equalizing valve, reduced installation effort and costs for plant operators
- Guaranteed leakage proof through helium testing  
⇒ leak rate  $q \leq 10^{-8}$  mbar l / s
- Service-friendly snap bezel case

### Description

#### Differential pressure gauge

Basic model: Model 732.51 see data sheet PM 07.05  
Pressure rating/maximum static pressure: 40 bar  
Overpressure safety either side to static pressure: 40 bar

#### Working pressure gauge

Model 232.50 see data sheet PM 02.02  
Model 232.30 see data sheet PM 02.04  
with male nut G ½ B mounted on ⊖-pressure medium chamber

#### Pressure equalizing valve

High grade stainless steel / PTFE, integrated in measuring system

#### Nominal size

Differential pressure gauge: 160 mm  
Working pressure gauge: 100 mm

#### Accuracy class

Differential pressure gauge: 2.5  
Working pressure gauge: 1.0



Typ 732.51.2170 mit Option Ferngeber für Differenzdruck und Messumformer für Betriebsdruck

**Scale ranges** (differential pressure gauge)  
0 ... 120 mbar to 0 ... 2500 mbar

#### Wetted parts

Material stainless steel, no elastomer sealing

#### Zero adjustment

 (differential pressure gauge)

By means of adjustable pointer

#### Case

stainless steel

#### Additional pressure connections

G ¼ female (see in overleaf drawing ①, ② and ③)

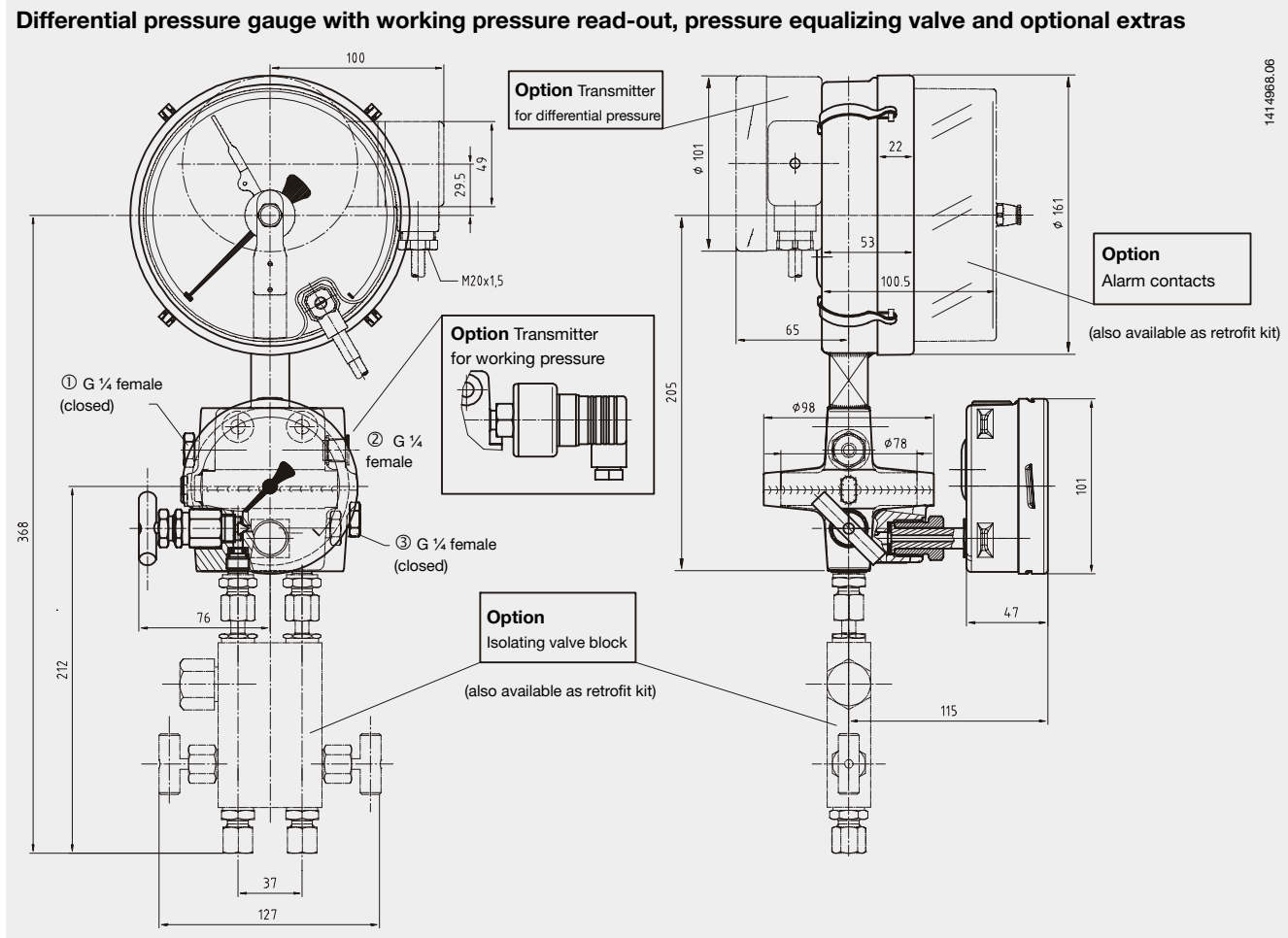
#### Ingress protection

IP 65 per EN 60 529 / IEC 529

## Optional extras

- Adjustable measuring span from out-side (differential pressure gauge)
- Liquid filling of pressure gauges
- Accuracy class 1.6 for differential pressure gauge
- Isolating valve block, material chrome plated brass or stainless steel 1.4301
- Three changeable scales in the differential pressure gauge (for different gases)
- Alarm contacts for differential and/or working pressure gauge also as retro-set for installation on site (electrical data acc. to data sheet AC 08.01)
- Transmitter for differential pressure gauge (data sheet AE 08.02)
- Transmitter for working pressure (data sheet PE 81.14, Model ECO-1, data sheet PE 81.12, Model C-10, data sheet PE 81.22, Model IS-10)

## Dimensions in mm



## Additional pressure connections

- ① G 1/4 female on minus media chamber e.g. to connect a pressure switch or safety valve
- ② G 1/4 female on minus media chamber e.g. to connect a pressure transmitter Model ECO-1, C-10 resp. IS 10
- ③ G 1/4 female on plus media chamber for recalibration

## Ordering information

Model, nominal size and scale range of differential pressure and working pressure gauge / optional extras required

Modifications may take place and materials specified may be replaced by others without prior notice. Specifications and dimensions given in this leaflet represent the state of engineering at the time of printing.